



Dual Ultra-Low V_{os} Matched Operational Amplifier

OP207

1.0 SCOPE

This specification documents the detail requirements for space qualified product manufactured on Analog Devices, Inc.'s QML certified line per MIL-PRF-38535 Level V except as modified herein.

The manufacturing flow described in the STANDARD SPACE LEVEL PRODUCTS PROGRAM brochure is to be considered a part of this specification <http://www.analog.com/aerospace>

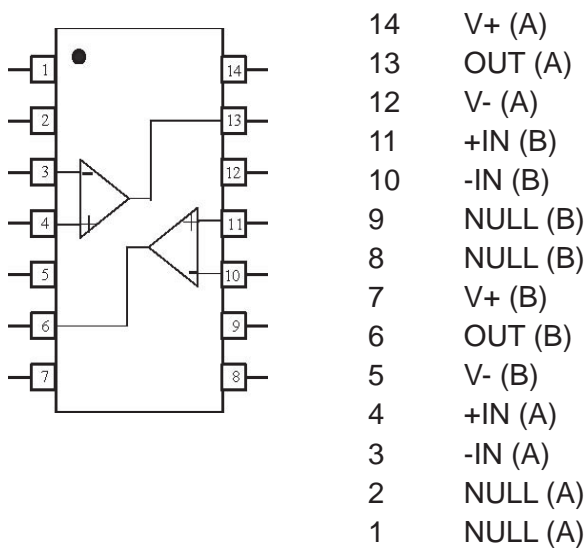
This data sheet specifically details the space grade version of this product. A more detailed operational description and a complete data sheet for commercial product grades can be found at www.analog.com/OP207

2.0 Part Number. The complete part number(s) of this specification follow:

<u>Part Number</u>	<u>Description</u>
OP207-903Y	Dual Ultra-Low V_{os} Matched Operational Amplifier

<u>Letter</u>	<u>Descriptive designator</u>	<u>Case Outline (Lead Finish per MIL-PRF-38535)</u>
Y	GDIP1-T14	14-Lead ceramic dual-in-line package (CERDIP)

NOTES:



1. Device may be operated even if insertion is reversed; this is due to inherent symmetry of pin locations of amplifiers A and B
2. V-(A) and V-(B) are internally connected via substrate resistance

Figure 1 - Terminal connections.

ASD0010727

Rev. F

Information furnished by Analog Devices is believed to be accurate and reliable. However, no responsibility is assumed by Analog Devices for its use, nor for any infringements of patents or other rights of third parties that may result from its use. Specifications subject to change without notice. No license is granted by implication or otherwise under any patent or patent rights of Analog Devices. Trademarks and registered trademarks are the property of their respective companies.

One Technology Way, P.O. Box 9106, Norwood, MA 02062-9106, U.S.A.
 Tel: 781.329.4700 www.analog.com
 Fax: 781.326.8703 © 2008 Analog Devices, Inc. All rights reserved.

3.0 Absolute Maximum Ratings. ($T_A = 25^\circ\text{C}$, unless otherwise noted)

Supply Voltage.....	$\pm 22\text{V}$
Power Dissipation	500mW
Differential Input Voltage	$\pm 30\text{V}$
Input Voltage (Note 1)	$\pm 22\text{V}$
Output Short-Circuit Duration	Indefinite
Operating Temperature Range	-55°C to $+125^\circ\text{C}$
Storage Temperature Range	-65°C to $+150^\circ\text{C}$
Lead Temperature (Soldering, 60 sec.)	$+300^\circ\text{C}$
Junction Temperature (T_J).....	$+150^\circ\text{C}$

NOTES:

For supply voltages less than $\pm 22\text{V}$, the absolute maximum input voltage is equal to the supply voltages.

3.1 Thermal Characteristics:

Thermal Resistance, CERDIP (Y) Package

Junction-to-Case (θ_{JC}) = 29°C/W Max

Junction-to-Ambient (θ_{JA}) = 91°C/W Max

4.0 Electrical Table:

Table I						
Parameter See notes at end of table	Symbol	Conditions Note 1	Sub-group	Limit Min	Limit Max	Units
Input Offset Voltage	V _{OS}		1		100	μV
			2, 3		230	
			M, D, L, R 3/	1		
Average Input Offset Voltage Drift 4/	TCV _{OS}	TA = -55°C, +25°C, +125°C	1, 2, 3		1.3	μV/°C
Input Offset Current	I _{OS}		1		2.8	nA
			2, 3		5.6	
			M, D, L, R 3/	1		
Input Bias Current	I _B		1		±3.0	
			2, 3		±5.6	
			M, D, L, R 3/	1		
Input Voltage Range 4/	IVR	Note 2	1, 2, 3	±13		V
Common-Mode Rejection Ratio 4/	CMRR	V _{CM} = ±13V	1	106		dB
			2, 3	103		
Power Supply Rejection Ratio 4/	PSRR	V _S = ±3V to ±18V	1		20	μV/V
			2, 3		32	
Output Voltage Swing 4/	V _O	RL = 10KΩ	4	±12.5		V
		RL = 2KΩ	4, 5, 6	±12		
		RL = 1KΩ	4	±10		
Large Signal Voltage Gain	A _{VO}	V _O = ± 10V, RL = 2KΩ	4	200		V/mV
			5, 6	150		
			M, D, L, R 3/	4	100	
Power Supply Current	I _{SY}	No Load, Both Amplifiers	1		8	mA
			M, D, L, R 3/	1		
Input Noise Voltage 4/	e _n	f _O = 1Hz to 100 Hz	7		150	nV _{RMS}
Input Noise Current 4/	i _n	f _O = 1Hz to 100 Hz	7		8	pA _{RMS}
Offset Adjustment Range 4/	V _{OSadj+}	R _p = 20KΩ	1	0.5		mV
	V _{OSadj-}	R _p = 20KΩ	1		-0.5	
Input Offset Voltage Match 4/	ΔV _{OS}		1		90	μV
			2, 3		180	
Average Non- Inverting Bias Current 4/	ΔI _{B+}		1		±3.5	nA
			2, 3		±6.0	
Non-Inverting Offset Current 4/	ΔI _{OS+}		1		±3.5	
			2, 3		±6.5	
Inverting Offset Current 4/	ΔI _{OS-}		1		±3.5	
			2, 3		±6.5	
Common Mode Rejection Ratio Match 4/	ΔCMRR		1	103		dB
			2, 3	100		
Power Supply Rejection Ratio Match 4/	ΔPSRR	V _S = ±3V to ±18V	1		32	μV/V
			2, 3		51	
Output Short Circuit Current 4/	I _{SC+}		1	5	58	mA
	I _{SC-}		1	-55	-5	
Channel Separation 4/	CS		4	126		dB

TABLE I NOTES:

- 1/ V_S = ±15V, R_S = 50 ohm, unless otherwise specified
- 2/ I_{VR} is defined as the V_{CM} range used for the CMRR test.
- 3/ Post irradiation limit. Subgroup 1 parameters without limit are read and recorded but not guaranteed.
- 4/ Not tested post irradiation.

4.1 Electrical Test Requirements:

Table II	
Test Requirements	Subgroups (in accordance with MIL-PRF-38535, Table III)
Interim Electrical Parameters	1
Final Electrical Parameters	1, 2, 3, 4, 5, 6, 7 <u>1/</u> <u>2/</u>
Group A Test Requirements	1, 2, 3, 4, 5, 6
Group C end-point electrical parameters	1 <u>2/</u>
Group D end-point electrical parameters	1
Group E end-point electrical parameters	1

Notes:

- 1/ PDA applies to subgroup 1. VOS and delta's excluded from PDA.
- 2/ See table III for delta limits.

4.2 Table III. Burn-in test delta limits.

Table III				
TEST TITLE	BURN-IN ENDPOINT	LIFETEST ENDPOINT	DELTA LIMIT	UNITS
V _{OS}	±100	±175	±75	µV
±I _B	±3	±4	±1	nA

5.0 Life Test/Burn-In Circuit:

- 5.1 HTRB is not applicable for this drawing.
- 5.2 Burn-in is per MIL-STD-883 Method 1015 test condition B.
- 5.3 Steady state life test is per MIL-STD-883 Method 1005, test condition B.

Rev	Description of Change	Date
A	Initiate	Mar. 28, 2000
B	Update web address. Correct PSRR units from V/ μ V to μ V/V. Table I: reference to note 4 deleted, note 4 not in datasheet. Symbol for Inverting offset current should be Δ IOS-. Table II, note 1 add "VOS and delta's excluded from PDA". Update Table III with Life test end-point = datasheet + delta.	Mar. 19, 2002
C	Update web address. Add note 4 to indicate parameters not tested post irradiation	May 13, 2003
D	Delete burn-in and radiation bias circuits	Aug. 5, 2003
E	Updated header/footer & added to scope description, and deleted OP207R903Y – part is no longer offered.	Feb. 14, 2008
F	Add Junction Temperature +150°C to 3.0 Absolute Maximum Ratings & remove "see figure 2" in 5.2 Burn-In Section because there is no figure 2	March 31, 2008